



Product Data

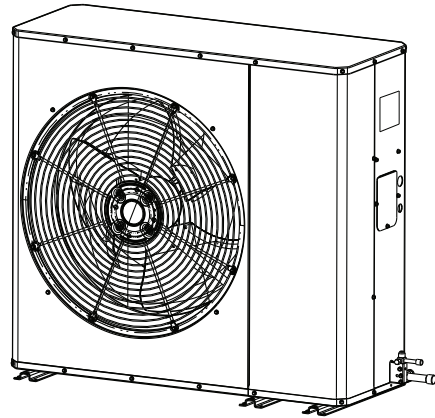
Side Discharge HP Models

For coastal applications where units are installed within one (1) mile of salt water, epoxy coated models are recommended. These models have an 8 week lead time after order.

4TWL6018A1000A
4TWL6024A1000A
4TWL6030A1000A
4TWL6036A1000A
4TWL6042A1000A
4TWL6048A1000A
4TWL6060A1000A

Epoxy Coated Model

4TWL6018A1COTA
4TWL6024A1COTA
4TWL6030A1COTA
4TWL6036A1COTA
4TWL6042A1COTA
4TWL6048A1COTA
4TWL6060A1COTA



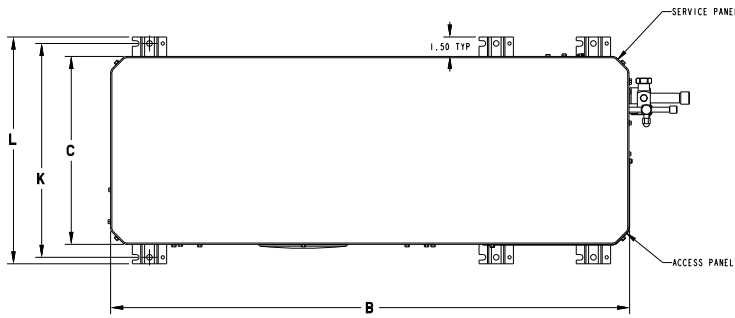
Note: "Graphics in this document are for representation only. Actual model may differ in appearance."



Table of Contents

Outline Drawing	3
Sound Power Level Table.....	4
Product Specifications	5
Accessory Description and Usage	7
Model Nomenclature.....	7
Wiring	8
Mechanical Specification Options	15

Outline Drawing



▲ SHOULD BE AT LEAST 152.4 (6 INCHES) FROM WALL AND 609.6 (12 FEET) FROM SURROUNDING SHRUBBERY ON ALL SIDES.

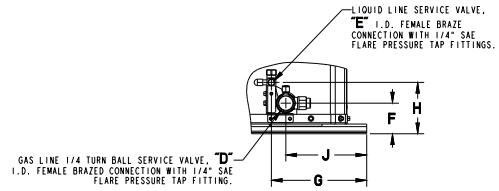
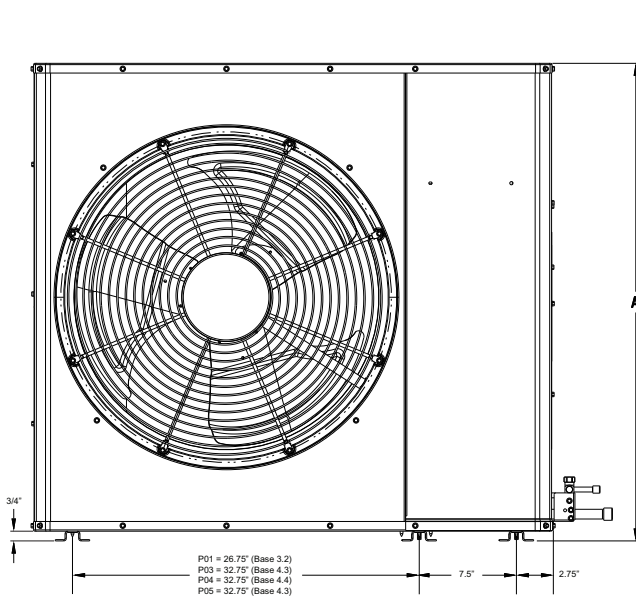


FIGURE 2



P01 = 26.75\" (Base 3.2)
 P03 = 32.75\" (Base 4.3)
 P04 = 32.75\" (Base 4.4)
 P05 = 32.75\" (Base 4.3)

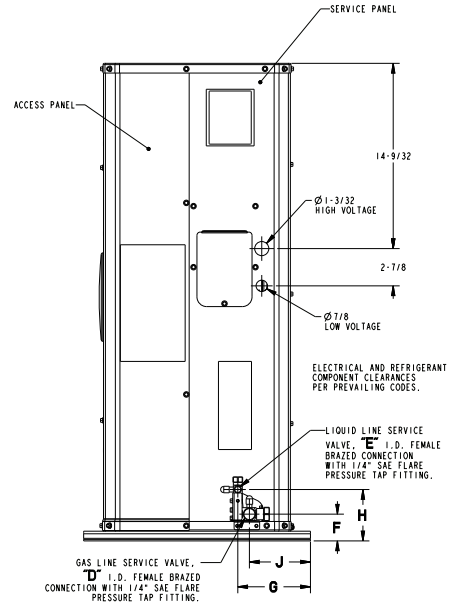


FIGURE 1

DWG.D159818_Rev D

Model	Base	A	B	C	D	E	F	G	H	J	K	L
4TWL6018A	3.2	781 (30-3/4)	1016 (40)	368 (14-1/2)	19 (3/4)	10 (3/8)	53 (2-1/16)	142 (5-19/32)	101 (3-31/32)	120 (4-23/32)	419 (16-1/2)	445 (17-1/2)
4TWL6024A	3.2	781 (30-3/4)	1016 (40)	368 (14-1/2)	19 (3/4)	10 (3/8)	53 (2-1/16)	142 (5-19/32)	101 (3-31/32)	120 (4-23/32)	419 (16-1/2)	445 (17-1/2)
4TWL6030A	4.3	934 (36-3/4)	1194 (47)	445 (17-1/2)	19 (3/4)	10 (3/8)	53 (2-1/16)	187 (7-11/32)	101 (3-31/32)	159 (6-1/4)	495 (19-1/2)	520 (20-1/2)
4TWL6036A	4.3	934 (36-3/4)	1194 (47)	445 (17-1/2)	22 (7/8)	10 (3/8)	53 (2-1/16)	187 (7-11/32)	101 (3-31/32)	159 (6-1/4)	495 (19-1/2)	520 (20-1/2)
4TWL6042A	4.3	934 (36-3/4)	1194 (47)	445 (17-1/2)	22 (7/8)	10 (3/8)	53 (2-1/16)	187 (7-11/32)	101 (3-31/32)	159 (6-1/4)	495 (19-1/2)	520 (20-1/2)
4TWL6048A	4.4	1086 (42-3/4)	1194 (47)	445 (17-1/2)	22 (7/8)	10 (3/8)	60 (2-3/8)	187 (7-11/32)	101 (3-31/32)	159 (6-1/4)	495 (19-1/2)	520 (20-1/2)
4TWL6060A	4.4	1086 (42-3/4)	1194 (47)	445 (17-1/2)	22 (7/8)	10 (3/8)	60 (2-3/8)	187 (7-11/32)	101 (3-31/32)	159 (6-1/4)	495 (19-1/2)	520 (20-1/2)



Sound Power Level Table

MODEL	A-Weighted Sound Power Level [dB(A)]	Full Octave Sound Power(dB)							
		63 Hz	125 Hz	250 Hz	500 Hz	1000 Hz	2000 Hz	4000 Hz	8000 Hz
4TWL6018A1	69	72	70	72	66	65	59	52	44
4TWL6024A1	69	72	72	71	66	65	59	53	43
4TWL6030A1	70	72	76	72	68	65	60	52	44
4TWL6036A1	71	72	77	74	68	65	59	53	46
4TWL6042A1	71	75	75	73	68	66	60	53	46
4TWL6048A1	74	75	80	77	70	68	62	54	48

Note: Rated in accordance with AHRI Standard 270 *For Reference Only

MODEL	Sound Pressure [dB(A)]			
	3 ft	5 ft	10 ft	15 ft
4TWL6018A1	62	58	51	48
4TWL6024A1	62	58	51	48
4TWL6030A1	63	58	52	49
4TWL6036A1	64	59	53	50
4TWL6042A1	64	59	53	50
4TWL6048A1	67	62	56	53

Note: Rated in accordance with AHRI Standard 275



Product Specifications

Model No. ^(a)	4TWL6018A1XXXA	4TWL6024A1XXXA	4TWL6030A1XXXA	4TWL6036A1XXXA
POWER CONNS. — V/PH/HZ ^(b)	208-230/1/60	208-230/1/60	208-230/1/60	208-230/1/60
MIN. BRCH. CIR. AMPACITY	13	13	13	19
BR. CIR. PROT. RTG. — MAX. (AMPS)	20	20	20	30
COMPRESSOR	CLIMATUFF®-SCROLL	CLIMATUFF®-SCROLL	CLIMATUFF®-SCROLL	CLIMATUFF®-SCROLL
R.L. AMPS — L.R. AMPS	10.1 — 56	10.1 — 52	9.4 — 72.5	14.7 — 75
OUTDOOR FAN	PROPELLER	PROPELLER	PROPELLER	PROPELLER
DIA. (IN.)	23	23	27.5	27.5
NO. MOTORS — HP	1 — 1/8	1 — 1/8	1 — 1/8	1 — 1/8
F.L. AMPS	0.67	0.67	0.81	0.81
OUTDOOR COIL — TYPE	PLATE FIN	PLATE FIN	PLATE FIN	PLATE FIN
REFRIGERANT	4 LBS., 11 OZ	5 LBS., 9 OZ	6 LBS, 9 OZ	6 LBS, 13 OZ
LINE SIZE — IN. O.D. GAS ^(c)	3/4	3/4	3/4	7/8
LINE SIZE — IN. O.D. LIQ. ^(c)	3/8	3/8	3/8	3/8
CHARGING SPECIFICATIONS				
SUBCOOLING	8°F	10°F	8°F	8°F
DIMENSIONS	H X W X D	H X W X D	H X W X D	H X W X D
CRATED (IN.)	34.75 X 47.5 X 20.0	34.75 X 47.5 X 20.0	40.88 X 54.5 X 23.0	40.88 X 54.5 X 23.0
WEIGHT				
SHIPPING (LBS.)	186	186	222	225
NET (LBS.)	166	166	195	198
OPTIONAL ACCESSORIES				
Evaporator Defrost Control	AY28X079	AY28X079	AY28X079	AY28X079
Rubber Isolator Kit	BAYISLT101	BAYISLT101	BAYISLT101	BAYISLT101
Start Kit	BAYKSKT263	BAYKSKT263	BAYKSKT263	BAYKSKT263
Crankcase Heater Kit	BAYCCHT302RES	BAYCCHT302RES	BAYCCHT302RES	BAYCCHT302RES
Snow Leg Kit 4"	BAYLEGS004	BAYLEGS004	BAYLEGS004	BAYLEGS004
Snow Leg Kit 7"	BAYLEGS007	BAYLEGS007	BAYLEGS007	BAYLEGS007
Scroll Compressor Enclosure	BAYSDEN003	BAYSDEN003	BAYSDEN003	BAYSDEN003
Low Ambient Kit	BAYLOAM107A	BAYLOAM107A	BAYLOAM107A	BAYLOAM107A
Wall Mount Kit	BRK05033 ^(d)	BRK05033 ^(d)	BRK05033 ^(d)	BRK05033 ^(d)
Wind Baffle Kit	BAYWIND100	BAYWIND100	BAYWIND100	BAYWIND101
Refrigerant Lineset ^(e)	TAYREFLN7*	TAYREFLN7*	TAYREFLN7*	TAYREFLN7*
Evaporator Defrost Control	AY28X079	AY28X079	AY28X079	AY28X079

^(a) Certified in accordance with the Air-Source Unitary Air-conditioner Equipment certification program, which is based on AHRI standard 210/240.

^(b) Calculated in accordance with Natl. Elec. Codes. Use only HACR circuit breakers or fuses.

^(c) Standard line lengths — 150', Standard lift — 50' Suction and Liquid line. For Greater lengths and lifts refer to refrigerant piping software Pub#32-3312-0* (* denotes latest revision)..

^(d) Available from Trane Parts

^(e) * = 15, 20, 25, 30, 40 and 50 foot lineset available.



Product Specifications

OUTDOOR UNIT ^(a)	4TWL6042A1XXXA	4TWL6048A1XXXA	4TWL6060A1XXXA
POWER CONNS. — V/PH/HZ ^(b)	208–230/1/60	208–230/1/60	208–230/1/60
MIN. BRCH. CIR. AMPACITY	25	26	29
BR. CIR. PROT. RTG. — MAX. (AMPS)	40	45	50
COMPRESSOR	CLIMATUFF®- SCROLL	CLIMATUFF®- SCROLL	CLIMATUFF®- SCROLL
R.L. AMPS — L.R. AMPS	19.2 — 124	19.6 — 130	22.2 — 127.9
OUTDOOR FAN	PROPELLER	PROPELLER	PROPELLER
DIA. (IN.)	27.5	27.5	27.5
NO. MOTORS — HP	1 — 1/5	1 — 1/5	1 — 1/4
F.L. AMPS	1.19	1.05	1.3
OUTDOOR COIL — TYPE	PLATE FIN	PLATE FIN	PLATE FIN
REFRIGERANT	7 LBS, 10 OZ	8 LBS, 5 OZ.	9 LBS, 0 OZ.
LINE SIZE — IN. O.D. GAS ^(c)	7/8	7/8	7/8
LINE SIZE — IN. O.D. LIQ. ^(c)	3/8	3/8	3/8
CHARGING SPECIFICATIONS			
SUBCOOLING	10°F	8°F	10°F
DIMENSIONS	H X W X D	H X W X D	H X W X D
CRATED (IN.)	40.88 X 54.5 X 23.0	46.88 X 54.5 X 23.0	46.88 X 54.5 X 23.0
WEIGHT			
SHIPPING (LBS.)	244	266	267
NET (LBS.)	217	239	240
OPTIONAL ACCESSORIES			
Evaporator Defrost Control	AY28X079	AY28X079	AY28X079
Rubber Isolator Kit	BAYISLT101	BAYISLT101	BAYISLT101
Start Kit	BAYKSKT263	BAYKSKT263	BAYKSKT263
Crankcase Heater Kit	BAYCCHT302RES	BAYCCHT302RES	BAYCCHT302RES
Snow Leg Kit 4"	BAYLEGS004	BAYLEGS004	BAYLEGS004
Snow Leg Kit 7"	BAYLEGS007	BAYLEGS007	BAYLEGS007
Scroll Compressor Enclosure	BAYSDEN003	BAYSDEN003	BAYSDEN003
Low Ambient Kit	BAYLOAM107A	BAYLOAM107A	BAYLOAM107A
Wall Mount Kit	BRK05033 ^(d)	BRK05033 ^(d)	BRK05033 ^(d)
Wind Baffle Kit	BAYWIND100	BAYWIND100	BAYWIND100
Refrigerant Lineset ^(e)	TAYREFLN7*	TAYREFLN7*	TAYREFLN7*
Evaporator Defrost Control	AY28X079	AY28X079	AY28X079

(a) Certified in accordance with the Air-Source Unitary Air-conditioner Equipment certification program, which is based on AHRI standard 210/240.

(b) Calculated in accordance with Natl. Elec. Codes. Use only HACR circuit breakers or fuses.

(c) Standard line lengths — 150', Standard lift — 50' Suction and Liquid line. For Greater lengths and lifts refer to refrigerant piping software Pub#32-3312-0* (* denotes latest revision)..

(d) Available from Trane Parts

(e) * = 15, 20, 25, 30, 40 and 50 foot lineset available.



Accessory Description and Usage

Evaporation Defrost Control — SPST Temperature actuated switch that cycles the condenser off as indoor coil reaches freeze-up conditions. Used for low ambient cooling to 30°F with TXV.

Rubber Isolators — Six (6) large rubber donuts to isolate condensing unit from transmitting energy into mounting frame or pad. Use on any application where sound transmission needs to be minimized.

Hard Start Kit — Start capacitor and relay to assist compressor motor startup. Use in areas with marginal power supply, on long linesets, low ambient conditions, etc.

AHRI Standard Capacity Rating Conditions

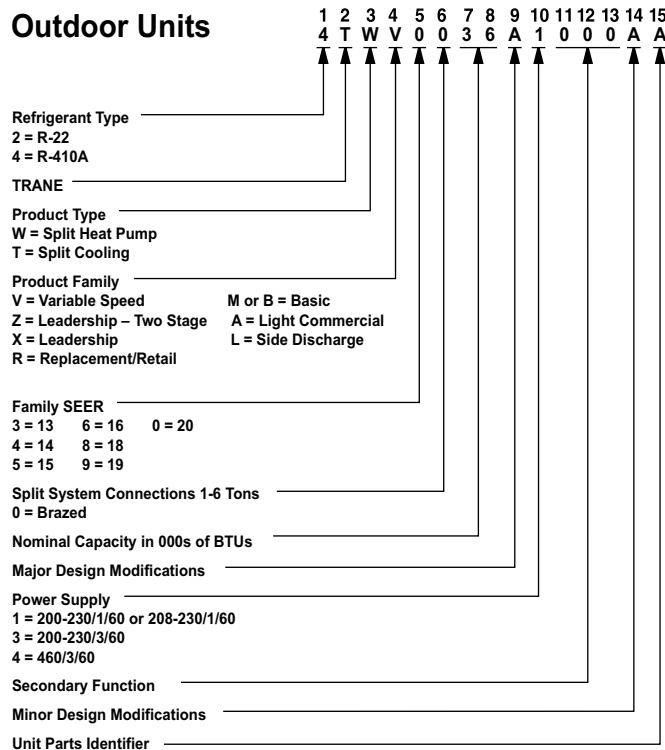
AHRI Standard 210/240 Rating Conditions

1. Cooling 80°F DB, 67°F WB air entering indoor coil, 95°F DB air entering outdoor coil.

AHRI Standard 270 Rating Conditions — (Noise rating numbers are determined with the unit in cooling operations.) Standard Noise Rating number is at 95°F outdoor air.

Model Nomenclature

Outdoor Units





Wiring

Figure 1. 1.5 and 2.5 Ton Models

LEGEND

- ACR A/C RECTIFIER
- CBS COIL BOTTOM SENSOR
- CF FAN CAPACITOR
- CH WIRE CONNECTOR
- CPR COMPRESSOR
- CR RUN CAPACITOR
- CS STARTING CAPACITOR
- CSR CAPACITOR SWITCHING RELAY
- DFC DEFROST CONTROL
- EVC ELECTRONIC EXP VALVE
- EEVC ELECTRONIC EXP VALVE CONTROL
- F INDOOR FAN RELAY
- HPCO HIGH PRESSURE CUTOFF SWITCH
- IOL INTERNAL OVERLOAD PROTECTOR
- LPCO LOW PRESSURE CUTOFF SWITCH
- MS COMPRESSOR MOTOR CONTACTOR
- ODA OUTDOOR ANTICIPATOR
- ODT OUTDOOR FAN THERMOSTAT
- ODS OUTDOOR TEMPERATURE SENSOR
- ODT OUTDOOR THERMOSTAT
- P-TRD PRESSURE TRANSDUCER
- SC SWITCH OVER VALVE SOLENOID
- SM SYSTEM ON-OFF SWITCH
- TDL DISCHARGE LINE THERMOSTAT
- TDR TIME DELAY RELAY 15 SEC DELAY ON
- TNS TRANSFORMER
- TEMP SENSOR, TEMPERATURE
- Y2C HIGH CAPACITY CONTROL RELAY

- COLOR OF WIRE
BK/BL
- COLOR OF MARKER
BK BL RD OR
BL BR YL PR PK

- POL. PLUG FEMALE HOUSING (MALE TERMINALS)
- POL. PLUG MALE HOUSING (FEMALE TERMINALS)
- RELAY CONTACT (N.C.)
- THERMISTOR
- TEMP ACTUATED SWITCH
- INTERNAL OVERLOAD PROTECTION
- PRESSURE ACTUATED SWITCH
- RESISTOR OR HEATING ELEMENT
- MOTOR WINDING

FOR CANADIAN INSTALLATIONS
POUR INSTALLATIONS CANADIENNES

CAUTION: NOT SUITABLE FOR USE ON SYSTEMS EXCEEDING 150V-TO-GROUND
ATTENTION: NE CONVIENT PAS AUX INSTALLATIONS DE PLUS DE 150 V A LA TERRE

WARNING

HAZARDOUS VOLTAGE!
DISCONNECT ALL ELECTRICAL POWER INCLUDING REMOTE DISCONNECTS BEFORE SERVICING.
Failure to disconnect power before servicing can cause severe personal injury or death.

CAUTION

USE COPPER CONDUCTORS ONLY!
UNIT TERMINALS ARE NOT DESIGNED TO ACCEPT OTHER TYPES OF CONDUCTORS.
Failure to do so may cause damage to the equipment.

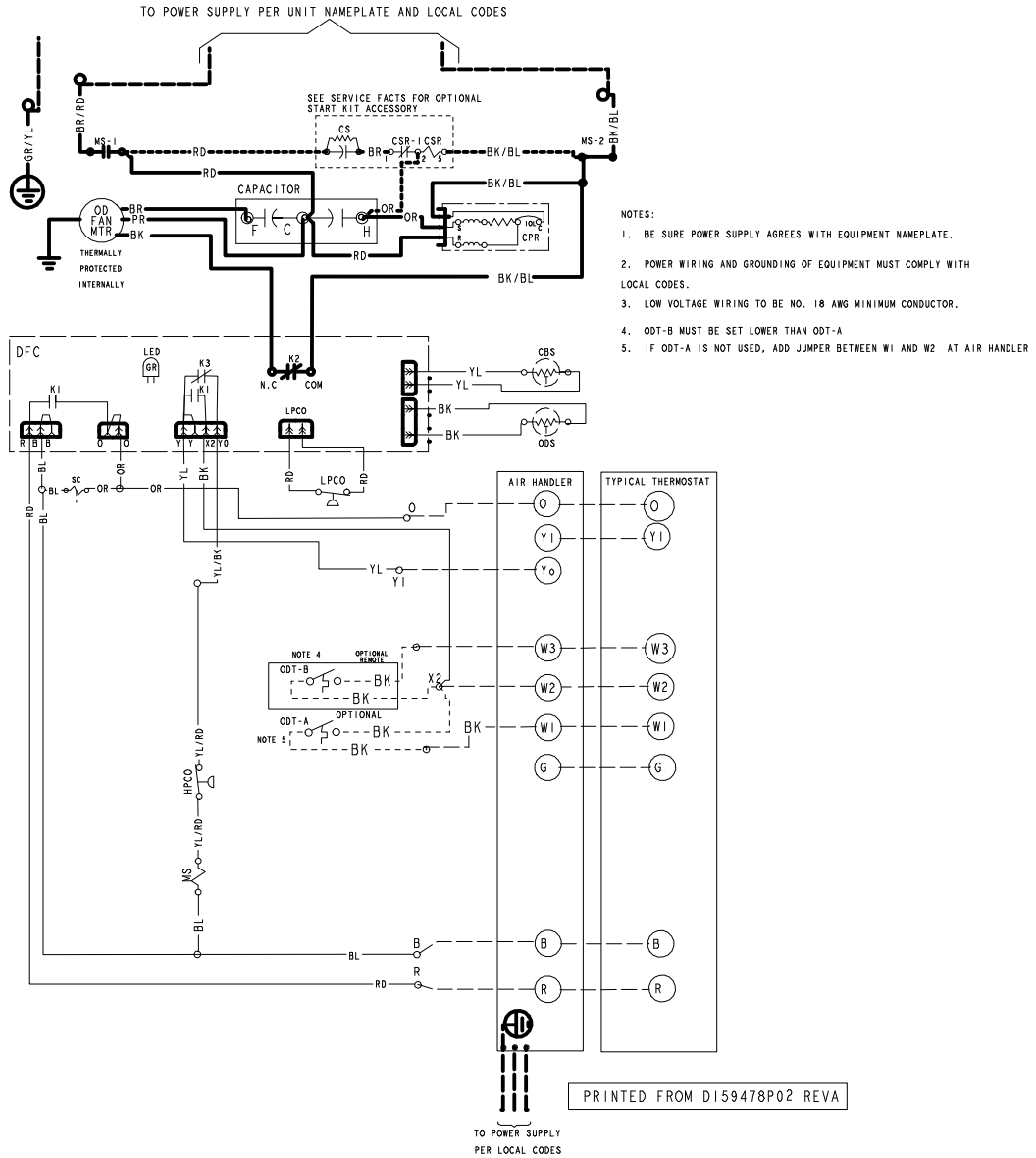


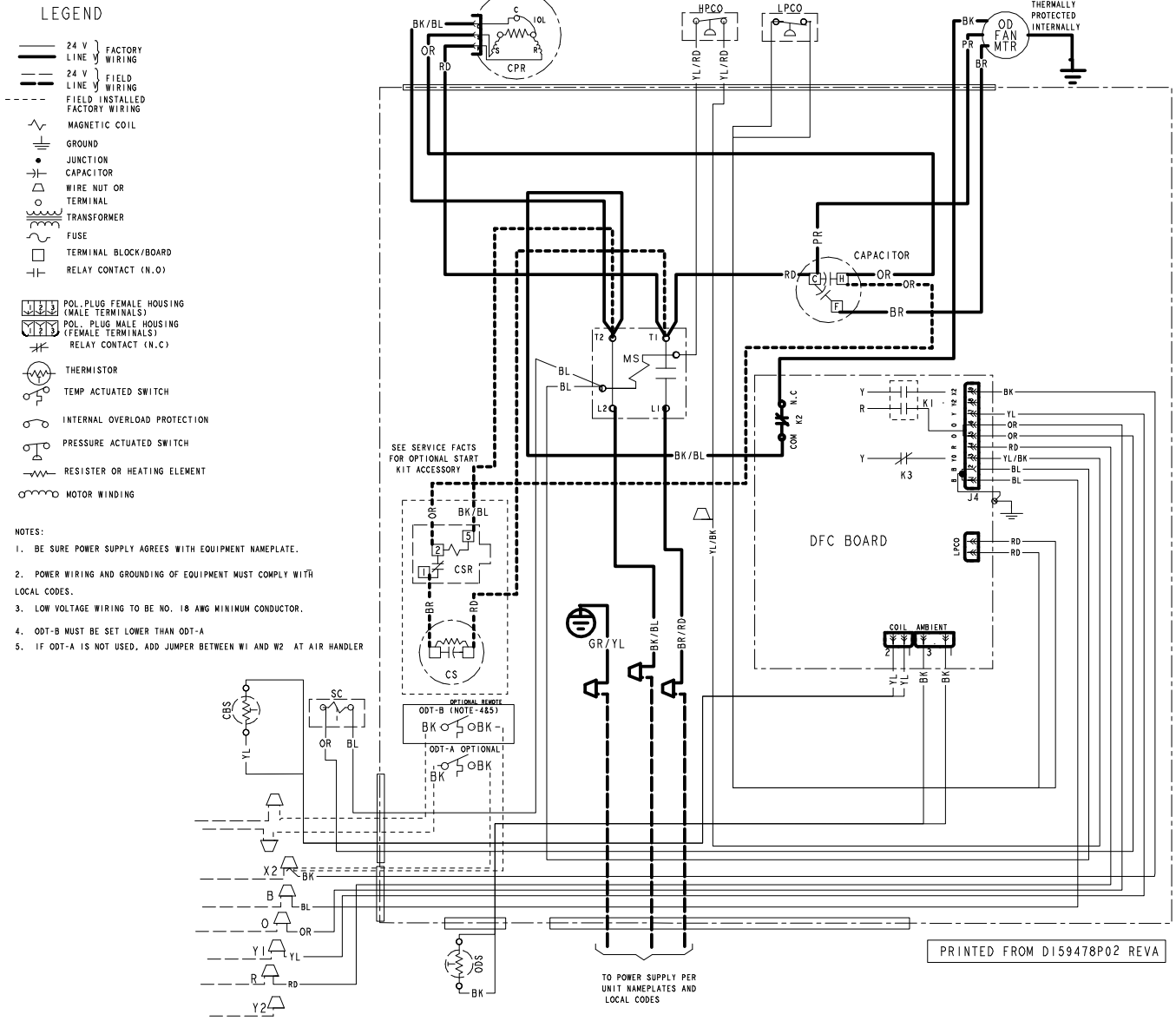
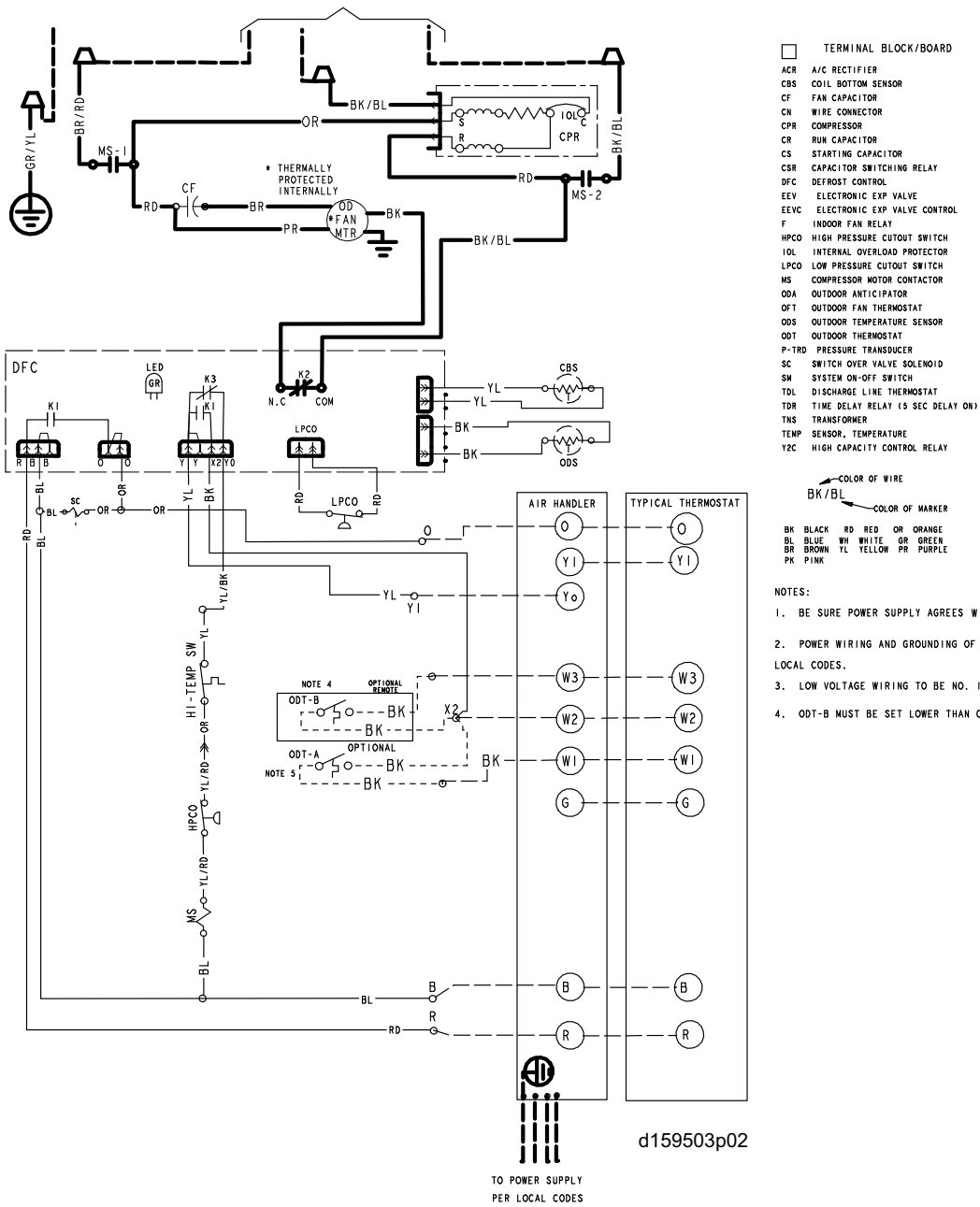
Figure 2. 1.5 & 2.5 Ton Models


Figure 3. 2.0, 3.0 & 3.5 Ton Models



- TERMINAL BLOCK/BOARD
 - ACR A/C RECTIFIER
 - CBS COIL BOTTOM SENSOR
 - CF FAN CAPACITOR
 - CN WIRE CONNECTOR
 - CPR COMPRESSOR
 - CR RUN CAPACITOR
 - CS STARTING CAPACITOR
 - CSR CAPACITOR SWITCHING RELAY
 - DFC DEFOST CONTROL
 - EEV ELECTRONIC EXP VALVE
 - EEVC ELECTRONIC EXP VALVE CONTROL
 - F INDOOR FAN RELAY
 - HPCO HIGH PRESSURE CUTOFF SWITCH
 - IOL INTERNAL OVERLOAD PROTECTOR
 - LPCO LOW PRESSURE CUTOFF SWITCH
 - MS COMPRESSOR MOTOR CONTACTOR
 - ODA OUTDOOR ANTICIPATOR
 - OFT OUTDOOR FAN THERMOSTAT
 - ODS OUTDOOR TEMPERATURE SENSOR
 - ODT OUTDOOR THERMOSTAT
 - P-TRD PRESSURE TRANSDUCER
 - SC SWITCH OVER VALVE SOLENOID
 - SM SYSTEM ON-OFF SWITCH
 - TDL DISCHARGE LINE THERMOSTAT
 - TDR TIME DELAY RELAY (5 SEC DELAY ON)
 - TNS TRANSFORMER
 - TEMP SENSOR, TEMPERATURE
 - Y2C HIGH CAPACITY CONTROL RELAY
- ◀ COLOR OF WIRE
 BK/BL ◀ COLOR OF MARKER
- BK BLACK RD RED OR ORANGE
 BL BLUE WH WHITE GR GREEN
 BR BROWN YL YELLOW PR PURPLE
 PK PINK

- NOTES:
1. BE SURE POWER SUPPLY AGREES WITH EQUIPMENT NAMEPLATE.
 2. POWER WIRING AND GROUNDING OF EQUIPMENT MUST COMPLY WITH LOCAL CODES.
 3. LOW VOLTAGE WIRING TO BE NO. 18 AWG MINIMUM CONDUCTOR.
 4. ODT-B MUST BE SET LOWER THAN ODT-A

d159503p02

TO POWER SUPPLY
PER LOCAL CODES

Figure 4. 2.0, 3.0 & 3.5 Ton Models

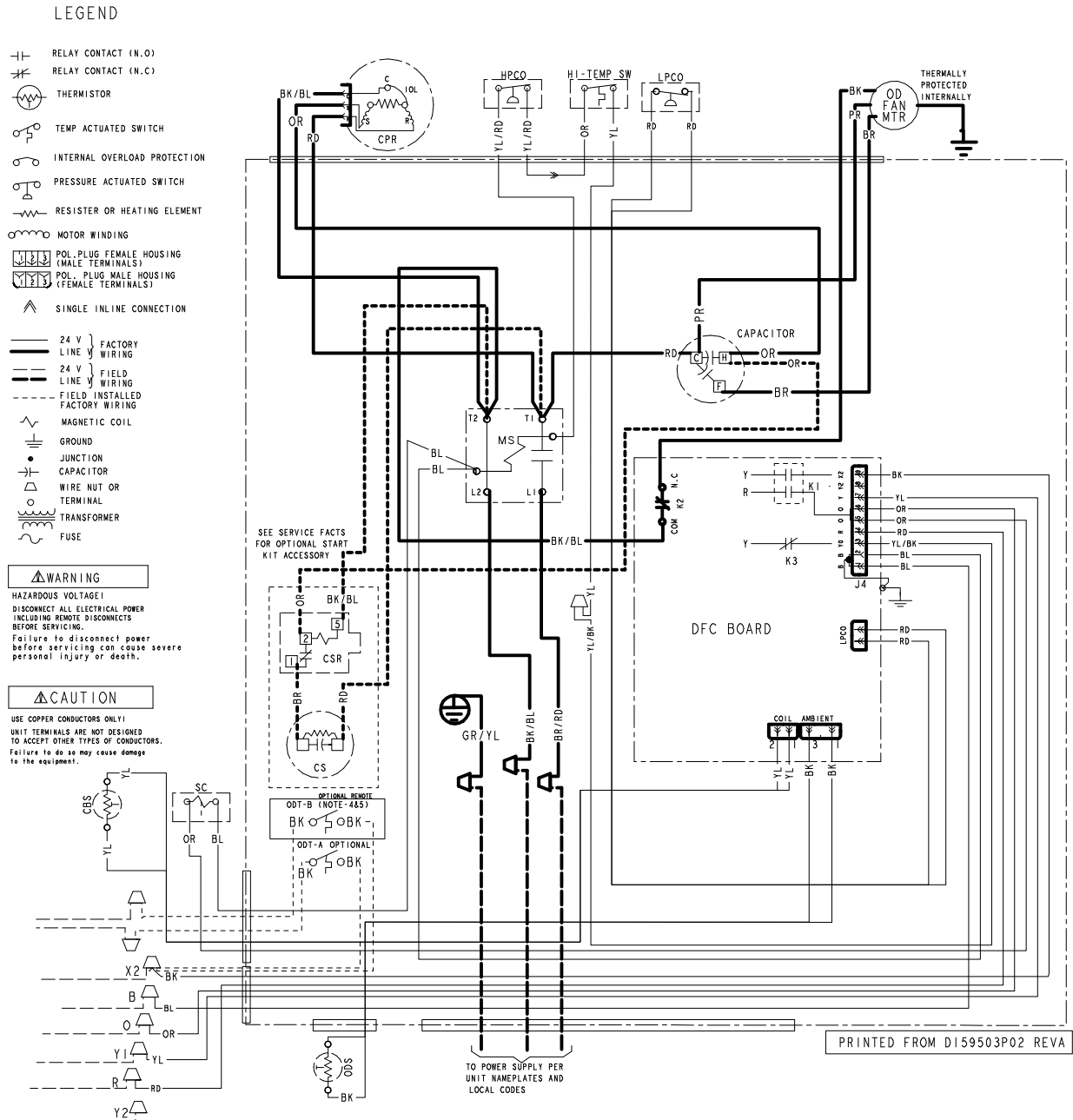
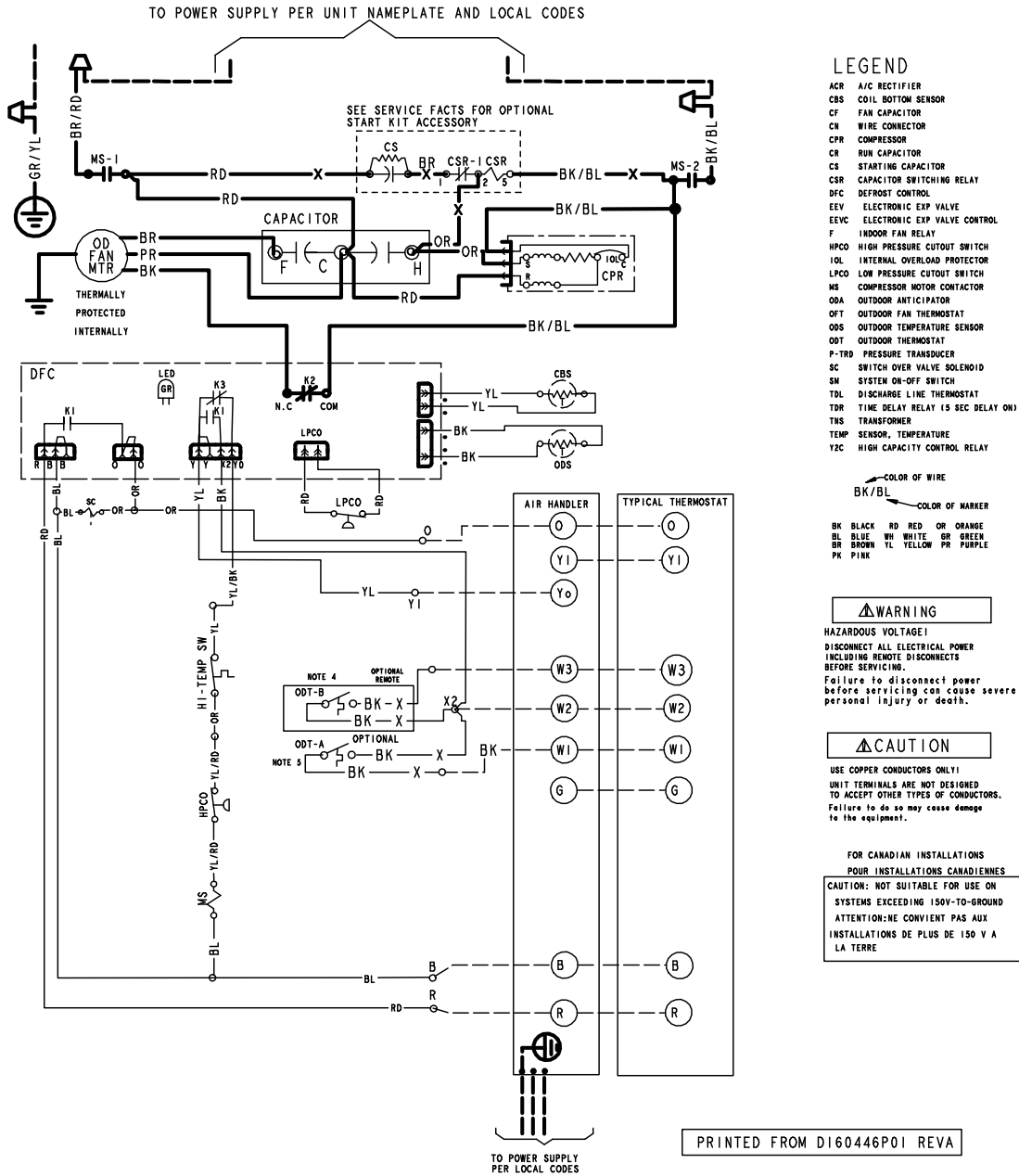


Figure 5. 4 Ton Model



LEGEND

- ACR A/C RECTIFIER
- CBS COIL BLOWN SENSOR
- CF FAN CAPACITOR
- CN WIRE CONNECTOR
- CPR COMPRESSOR
- CR RUN CAPACITOR
- CS STARTING CAPACITOR
- CSR CAPACITOR SWITCHING RELAY
- DFC DEFROST CONTROL
- EEV ELECTRONIC EXP VALVE
- EEVC ELECTRONIC EXP VALVE CONTROL
- F INDOOR FAN RELAY
- HPCO HIGH PRESSURE CUTOFF SWITCH
- IOL INTERNAL OVERLOAD PROTECTOR
- LPCO LOW PRESSURE CUTOFF SWITCH
- MS COMPRESSOR MOTOR CONTACTOR
- ODA OUTDOOR ANTICIPATOR
- OFT OUTDOOR FAN THERMOSTAT
- ODS OUTDOOR TEMPERATURE SENSOR
- ODT OUTDOOR THERMOSTAT
- P-TRD PRESSURE TRANSDUCER
- SC SWITCH OVER VALVE SOLENOID
- SW SYSTEM ON-OFF SWITCH
- TDL DISCHARGE LINE THERMOSTAT
- TRD TIME DELAY RELAY (5 SEC DELAY ON)
- TMS TRANSFORMER
- TEMP SENSOR, TEMPERATURE
- Y2C HIGH CAPACITY CONTROL RELAY

COLOR OF WIRE
BK/BL

COLOR OF MARKER

BK BLACK RD RED OR ORANGE
BL BLUE WH WHITE GR GREEN
BR BROWN YL YELLOW PR PURPLE
PK PINK

WARNING

HAZARDOUS VOLTAGE!
DISCONNECT ALL ELECTRICAL POWER INCLUDING REMOTE DISCONNECTS BEFORE SERVICING.
Failure to disconnect power before servicing can cause severe personal injury or death.

CAUTION

USE COPPER CONDUCTORS ONLY!
UNIT TERMINALS ARE NOT DESIGNED TO ACCEPT OTHER TYPES OF CONDUCTORS.
Failure to do so may cause damage to the equipment.

FOR CANADIAN INSTALLATIONS
POUR INSTALLATIONS CANADIENNES
CAUTION: NOT SUITABLE FOR USE ON SYSTEMS EXCEEDING 150V-TO-GROUND
ATTENTION: NE CONVIENT PAS AUX INSTALLATIONS DE PLUS DE 150 V A LA TERRE

Figure 6. 4 Ton Model

- NOTES:
1. BE SURE POWER SUPPLY AGREES WITH EQUIPMENT NAMEPLATE.
 2. POWER WIRING AND GROUNDING OF EQUIPMENT MUST COMPLY WITH LOCAL CODES.
 3. LOW VOLTAGE WIRING TO BE NO. 18 AWG MINIMUM CONDUCTOR.
 4. ODT-B MUST BE SET LOWER THAN ODT-A
 5. IF ODT-A IS NOT USED, ADD JUMPER BETWEEN W1 AND W2 AT AIR HANDLER

LEGEND			
	24 V FACTORY WIRING		RELAY CONTACT (N.O.)
	24 V FIELD WIRING		RELAY CONTACT (N.C.)
	24 V FIELD INSTALLED WIRING		THERMISTOR
	MAGNETIC COIL		TEMP ACTUATED SWITCH
	GROUND		PRESSURE ACTUATED SWITCH
	JUNCTION		MOTOR WINDING
	CAPACITOR		POL. PLUG FEMALE HOUSING (MALE TERMINALS)
	WIRE NUT OR CONNECTOR		POL. PLUG MALE HOUSING (FEMALE TERMINALS)
	TERMINAL		SINGLE INLINE CONNECTION
	TRANSFORMER		
	FUSE		
	TERMINAL BLOCK/BOARD		

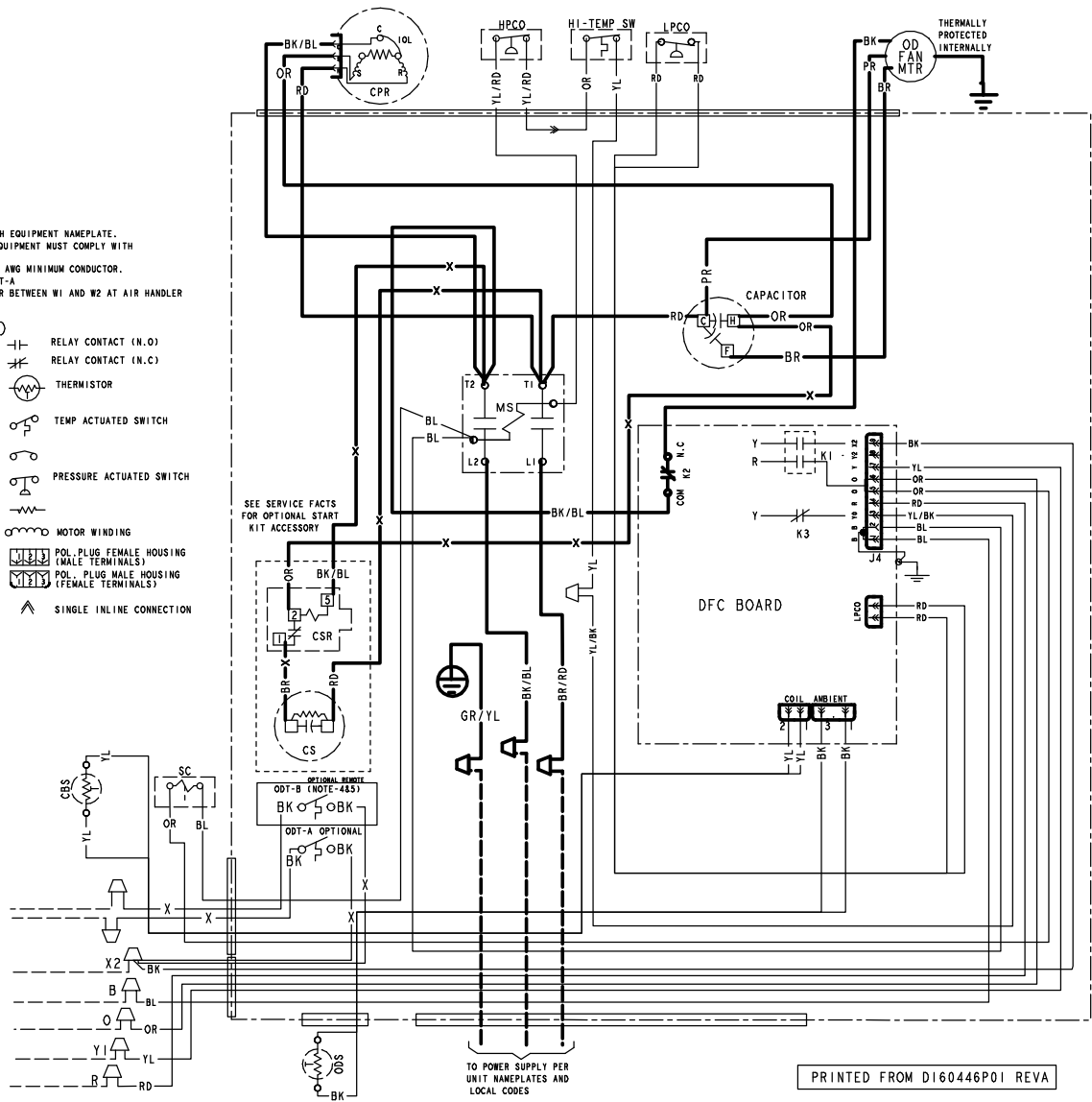
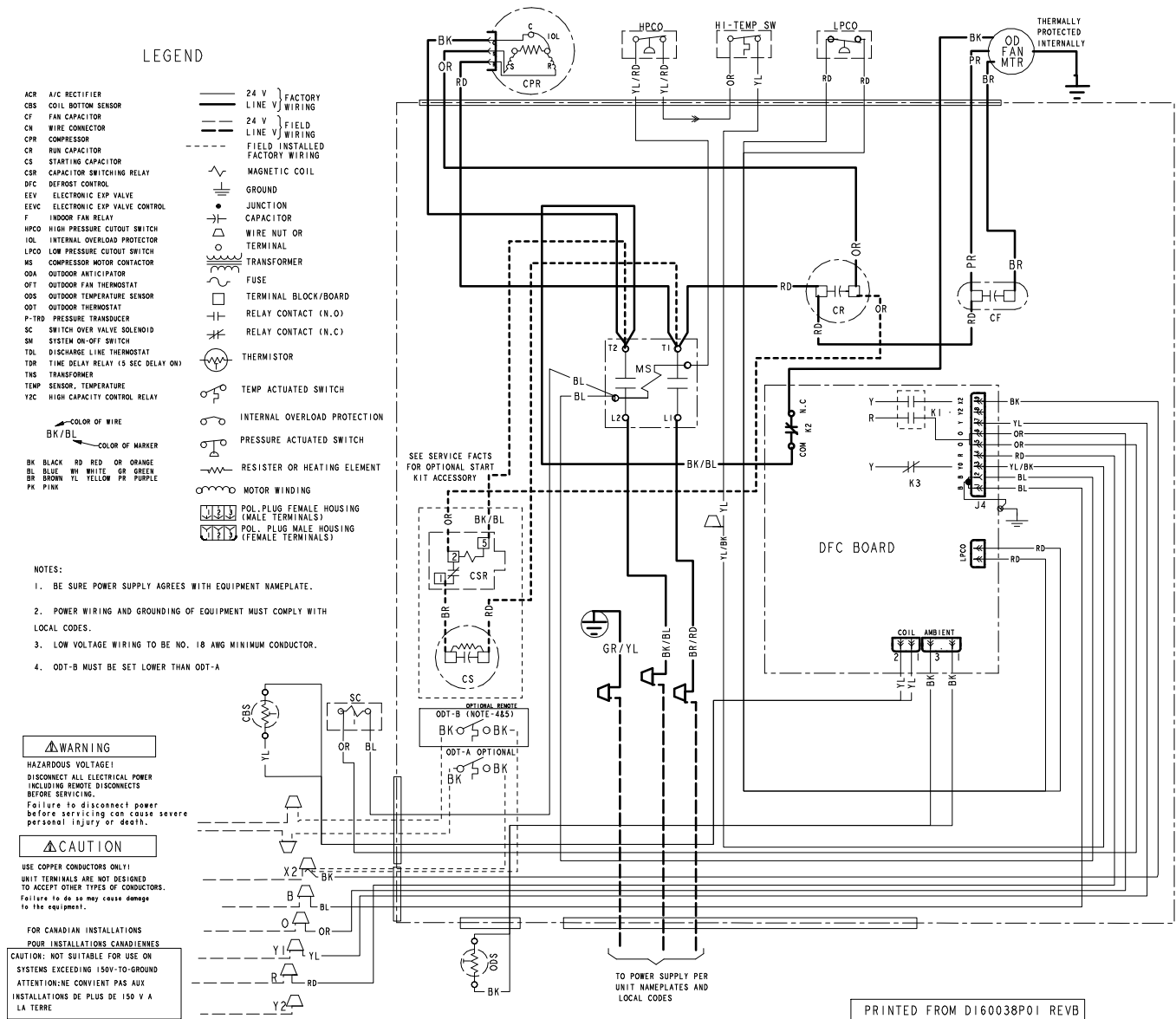


Figure 7. 5.0 Ton Models





Mechanical Specification Options

General

The Outdoor Units are fully charged from the factory for up to 15 feet of piping. This unit is designed to operate at outdoor ambient temperatures as high as 115°F. Cooling capacities are matched with a wide selection of air handlers and furnace coils that are AHRI certified. The unit is certified to UL 1995. Exterior is designed for outdoor application.

Casing

Unit casing is constructed of heavy gauge, galvanized steel and painted with a weather-resistant powder paint finish. The corner panels are prepainted. All panels are subjected to our 1,000 hour salt spray test .

Refrigerant Controls

Refrigeration system controls include condenser fan, compressor contactor and low and high pressure switches. A factory supplied, field installed liquid line drier is standard.

Compressor

The compressor features internal over temperature and pressure protection. Other features include: Centrifugal oil pump and low vibration and noise.

Condenser Coil

The outdoor coil provides low airflow resistance and efficient heat transfer. The coil is protected on all four sides by louvered panels.

Low Ambient Cooling

As manufactured, this system has a cooling capacity to 55°F. The addition of an evaporator defrost control permits operation to 40°F. The addition of an evaporator defrost control with TXV permits low ambient cooling to 30°F.

The addition of the BAYLOAM107A low ambient kit permits ambient cooling to 20°F.

Thermostats—Cooling only and heat/cooling (manual and automatic change over). Sub-base to match thermostat and locking thermostat cover.



Ingersoll Rand (NYSE: IR) advances the quality of life by creating comfortable, sustainable and efficient environments. Our people and our family of brands — including Club Car®, Ingersoll Rand®, Thermo King® and Trane® — work together to enhance the quality and comfort of air in homes and buildings; transport and protect food and perishables; and increase industrial productivity and efficiency. We are a global business committed to a world of sustainable progress and enduring results.



ingersollrand.com



The AHRI Certified mark indicates Ingersoll Rand participation in the AHRI Certification program. For verification of individual certified products, go to www.ahridirectory.org.

Ingersoll Rand has a policy of continuous product and product data improvements and reserves the right to change design and specifications without notice. We are committed to using environmentally conscious print practices.